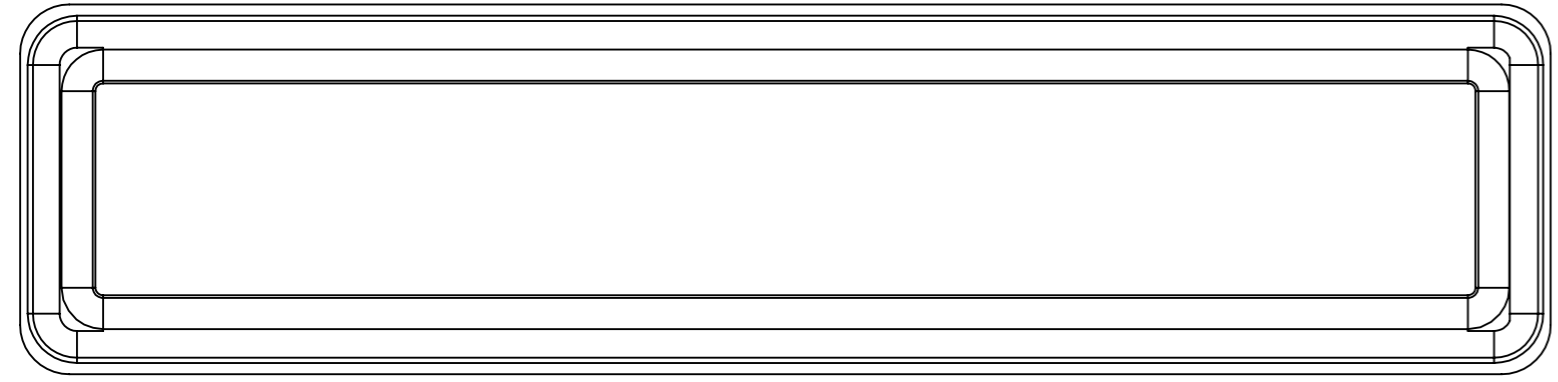
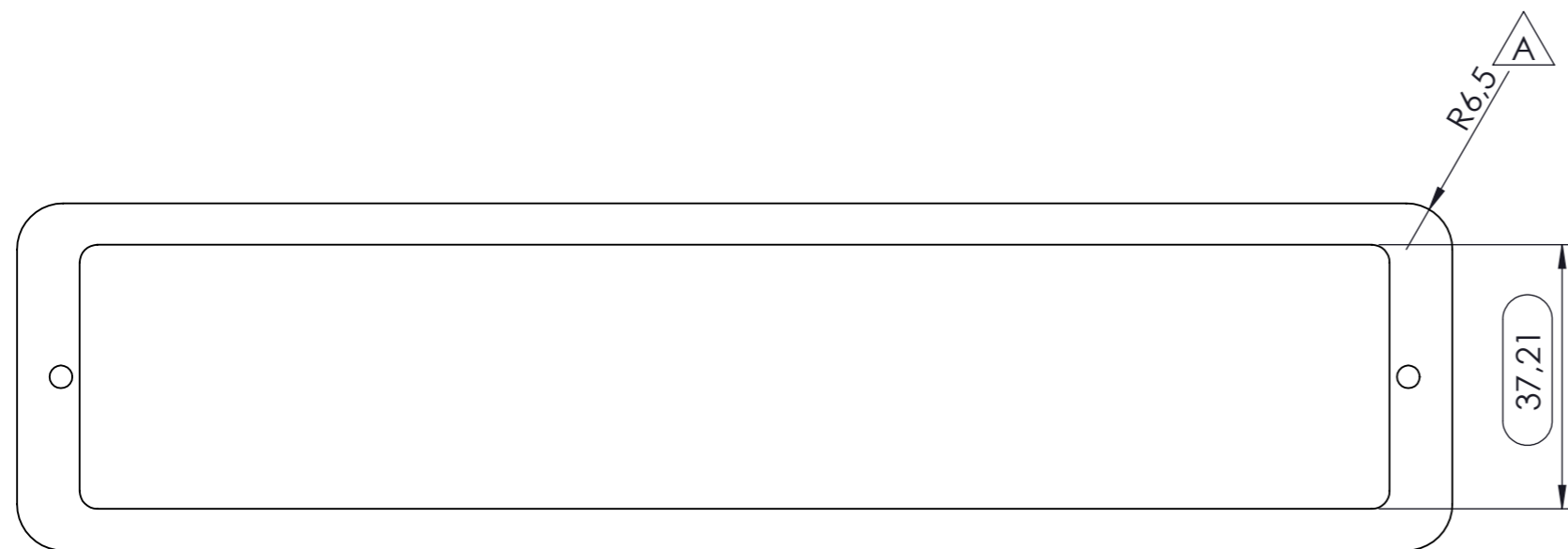
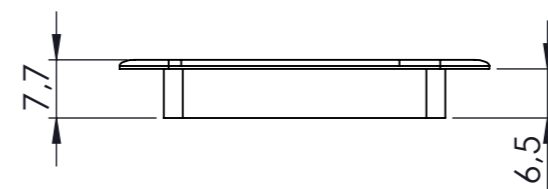
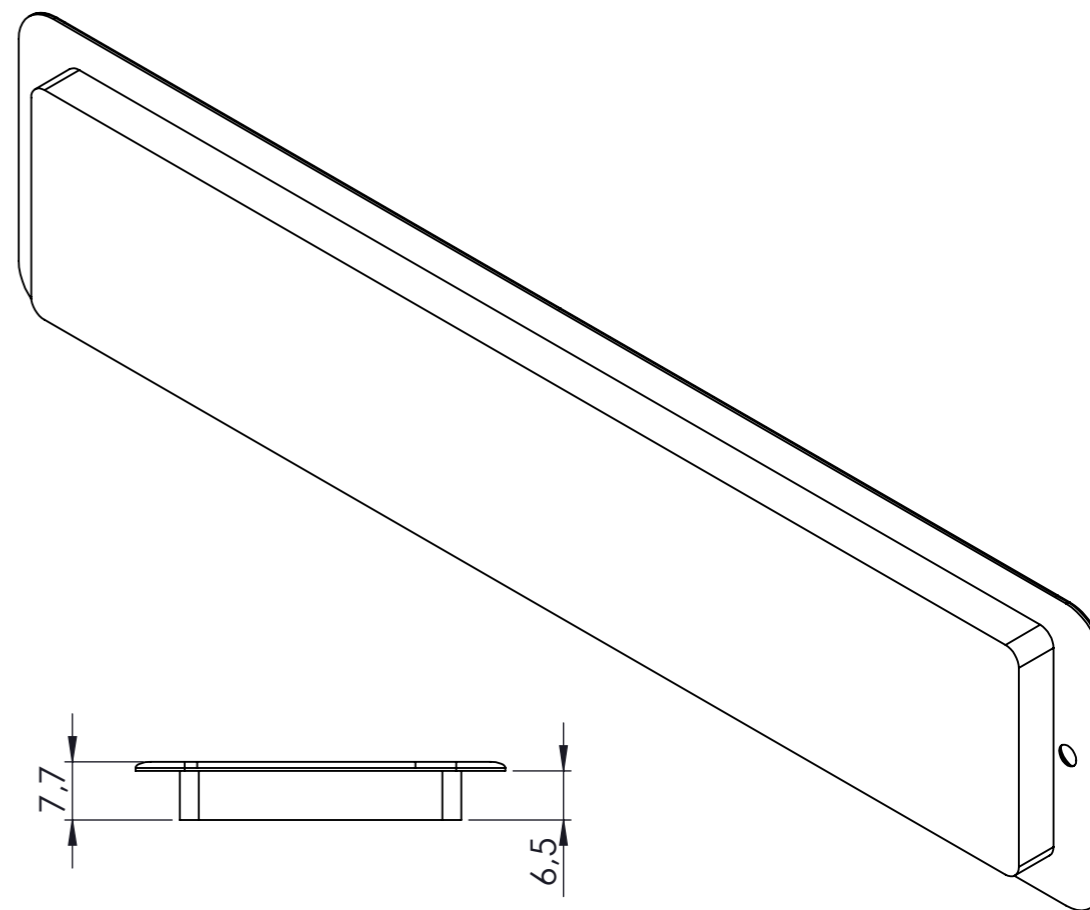
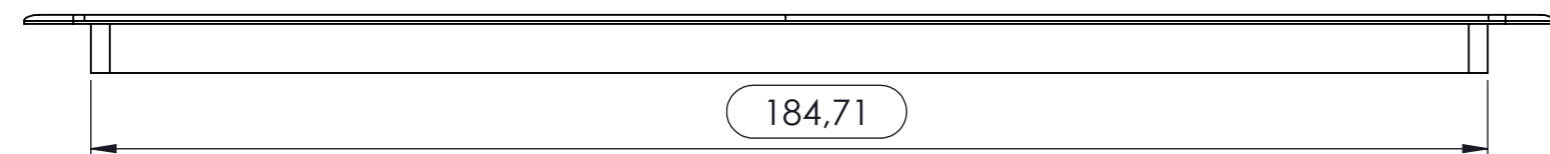
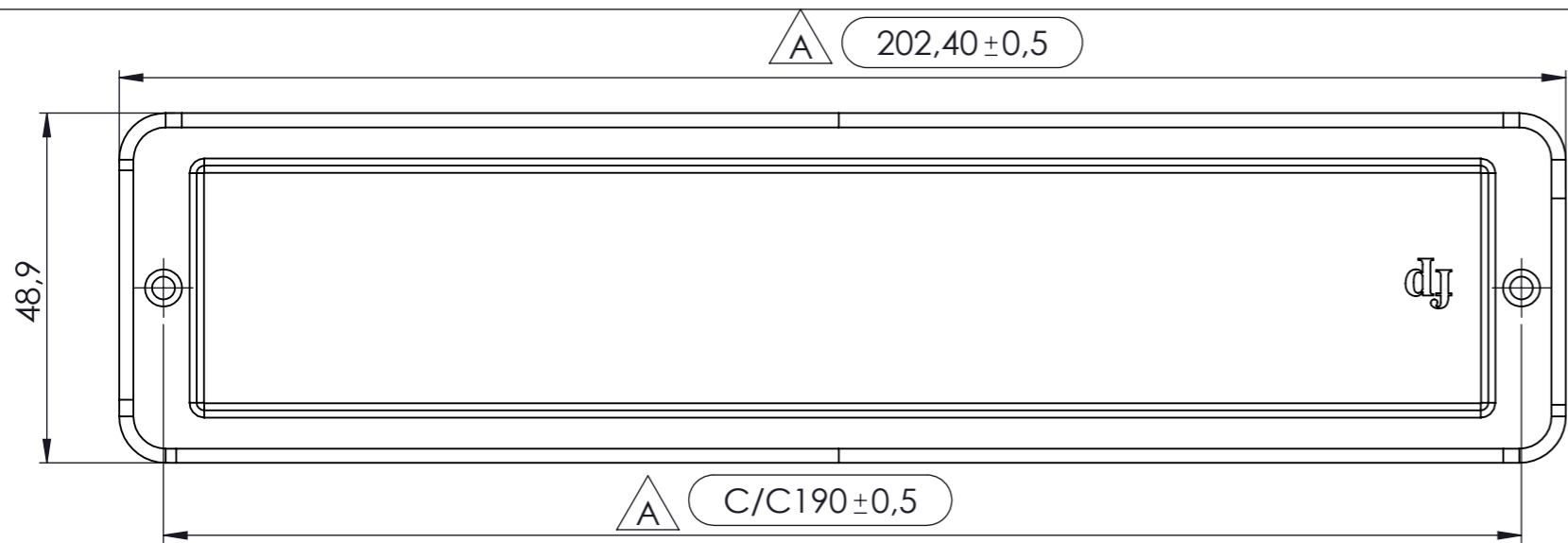


fp logo on the back



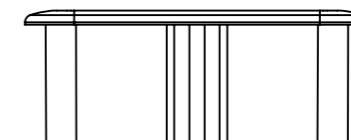
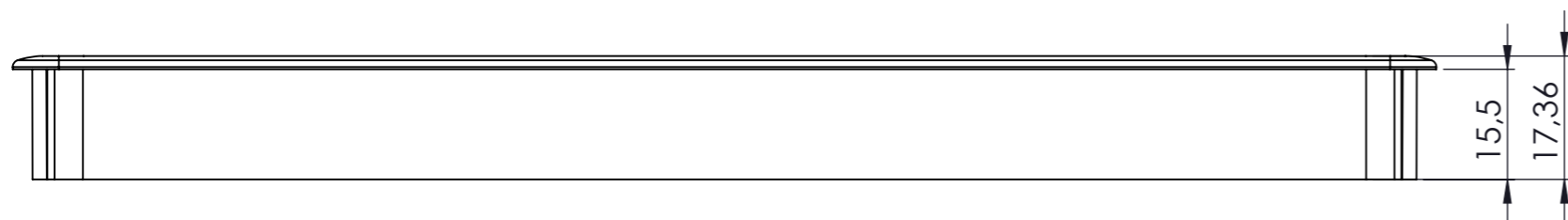
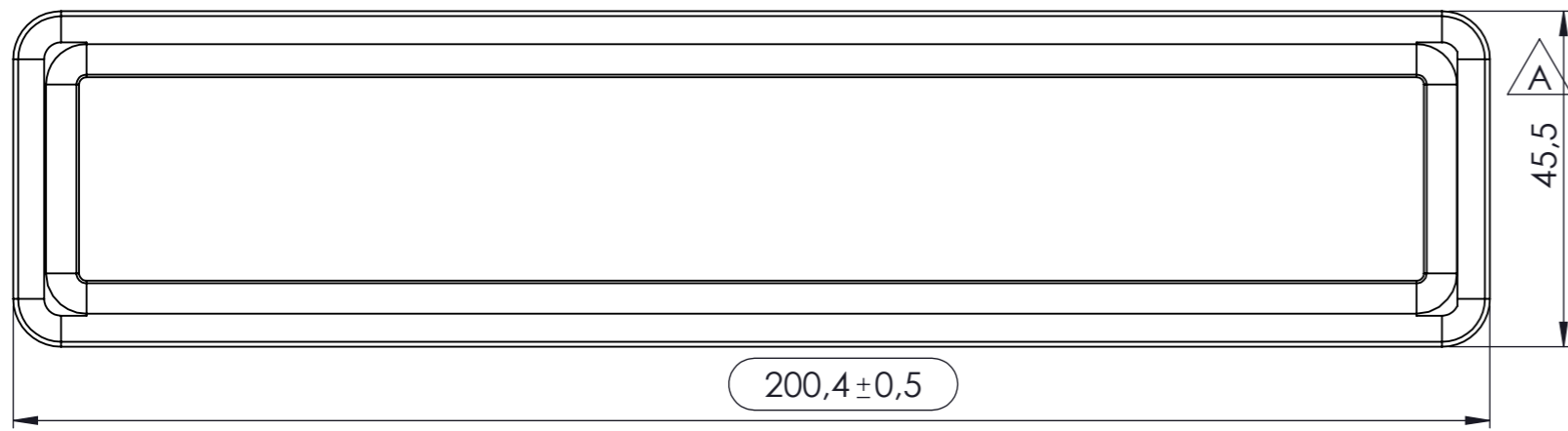
Rev.:	Date:	Name:	Description:
A	21-09-2021	MCH	Item no. added and geometry changed according to sample
B	10-11-2021	MCH	Name added

Part name: TUB Straight	Projection: 	Sheet format: A3	Tolerance unless otherwise specified DS/ISO 2768-1M Linear dimensions: <table border="1"> <tr> <td>0-3</td> <td>3-6</td> <td>6-30</td> <td>30-120</td> <td>120-400</td> <td>400-1000</td> <td>1000-2000</td> </tr> <tr> <td>±0,1</td> <td>±0,1</td> <td>±0,2</td> <td>±0,3</td> <td>±0,5</td> <td>±0,8</td> <td>±1,2</td> </tr> </table>	0-3	3-6	6-30	30-120	120-400	400-1000	1000-2000	±0,1	±0,1	±0,2	±0,3	±0,5	±0,8	±1,2
0-3	3-6	6-30		30-120	120-400	400-1000	1000-2000										
±0,1	±0,1	±0,2	±0,3	±0,5	±0,8	±1,2											
Scale: 1:1	Designer: Adam Laws	Drawn by: MCH 05-07-2021	Angle/Radius ±0,5° ±5%														
Part no.: 552720xxx	Material: Zink	Sheet 1 of 3	 Delta 2 Phone: +45 87 64 35 00 DK-8382 Hinnerup E-mail: fp@furnipart.com														
Material: Zink		Weight:															

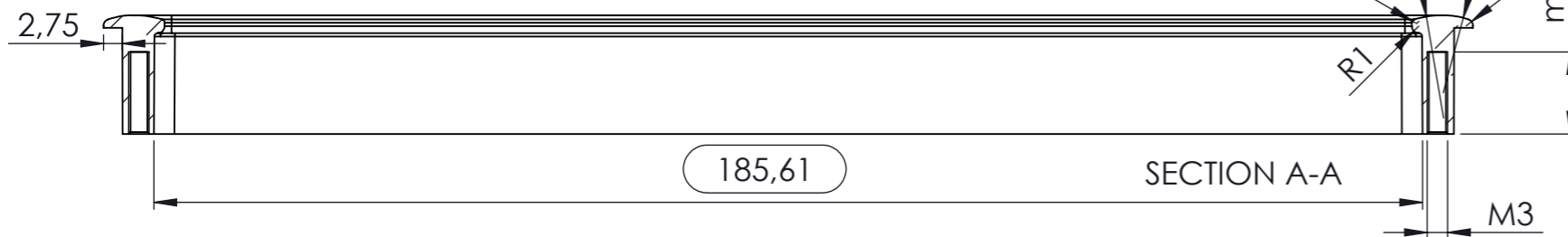
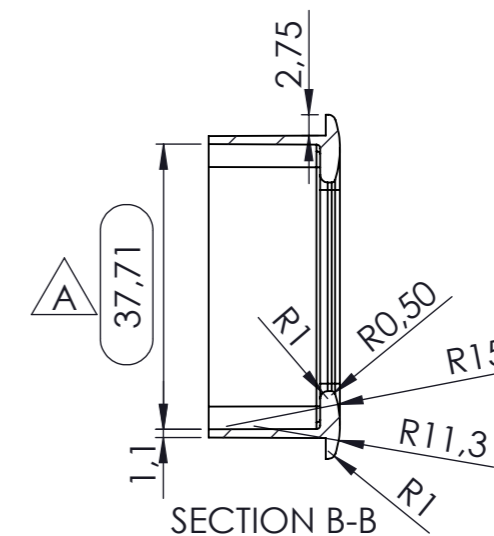
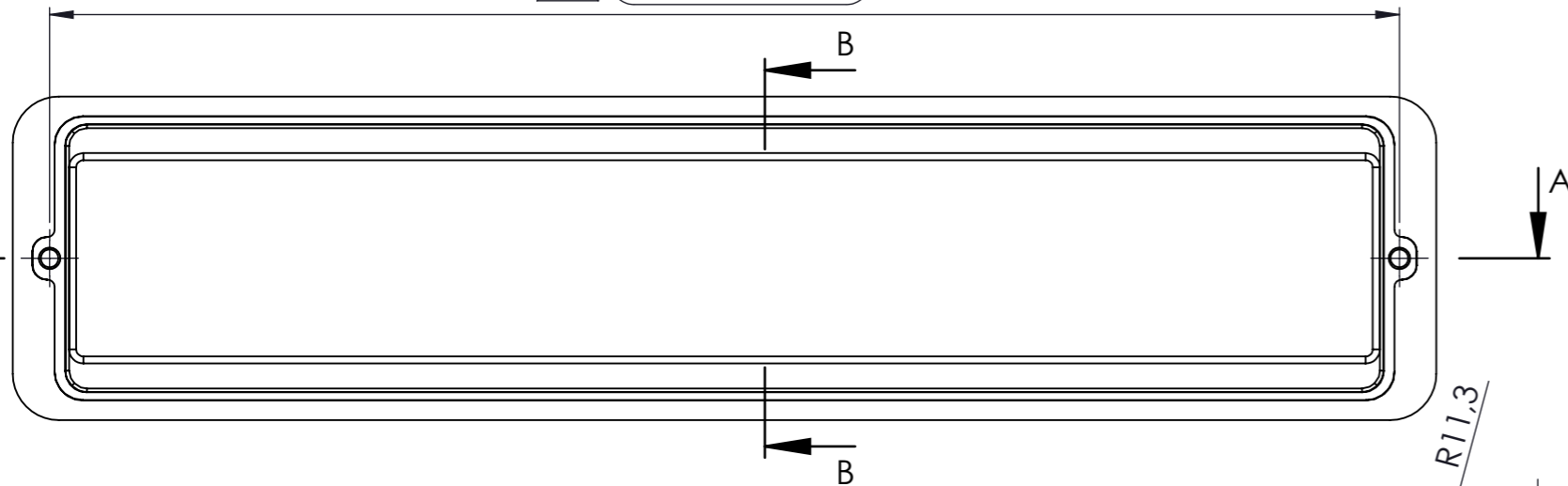


Rev.:	Date:	Name:	Description:
A	21-09-2021	MCH	Item no. added and geometry changed according to sample
B	10-11-2021	MCH	Name added

Part name: TUB Straight	Projection: 	Sheet format: A3	Tolerance unless otherwise specified DS/ISO 2768-1M Linear dimensions:
Designer: Adam Laws	Drawn by: MCH 05-07-2021	Scale: 1:1	
Part no.: 552720xxx	Sheet 2 of 3	AngleRadius ±0,5° ±5%	
Material: Zink	Weight:	 Delta 2 Phone: +45 87 64 35 00 DK-8382 Hinnerup E-mail: fp@furnipart.com	
COPYRIGHT: THIS DRAWING MAY NOT BE COPIED OR REPRODUCED IN ANY WAY WITHOUT DIRECT PERMISSION FROM FURNIPART A/S			



A C/C190 ± 0,5



Part name: TUB Straight	Projection: 	Sheet format: A3	Tolerance unless otherwise specified DS/ISO 2768-1M						
Designer: Adam Laws	Drawn by: MCH 05-07-2021	Scale: 1:1	Linear dimensions:						
Part no.: 552720xxx	Sheet 3 of 3		0-3	3-6	6-30	30-120	120-400	400-1000	1000-2000
Material: Zink	Weight:		±0,1	±0,1	±0,2	±0,3	±0,5	±0,8	±1,2
		Angle		Radius					
		±0,5°		±5%					
		furnipart®							
		Delta 2		Phone: +45 87 64 35 00					
		DK-8382 Hinnerup		E-mail: fp@furnipart.com					
COPYRIGHT: THIS DRAWING MAY NOT BE COPIED OR REPRODUCED IN ANY WAY WITHOUT DIRECT PERMISSION FROM FURNIPART A/S									

Rev.:	Date:	Name:	Description:
A	21-09-2021	MCH	Item no. added and geometry changed according to sample
B	10-11-2021	MCH	Name added